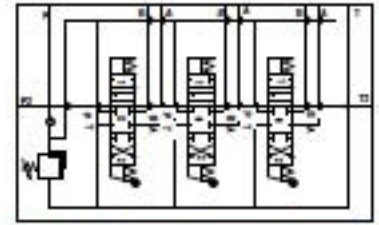
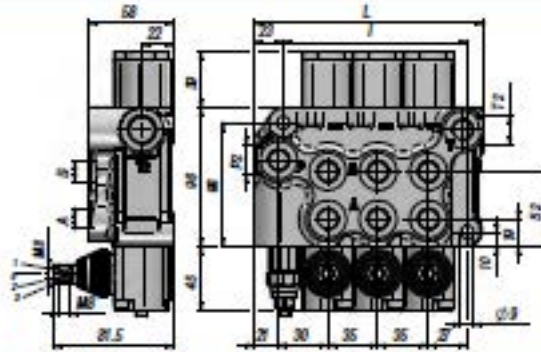


**BM 40**

**Qn**  
35 l/min

**Q max**  
45 l/min

**DISTRIBUTEUR MONOBLOC**  
MONOBLOCK VALVE  
DISTRIBUIDOR MONOBLOQUE



Code Code Código	Type Type Tipo	N° Leviers Sections No. Nr. Palancas	Orifices - Threads - Orificios					PN bar	P MAX U bar	P MAX S bar	L	I	kg
			A-B BSP	P BSP	T BSP	P2 BSP	T2 BSP						
D8M2111001	BM 40/1/GU/MO A1	1								90	55	2,50	
D8M2211001	BM 40/2/GU/MO A1x2	2								125	90	3,70	
D8M2311001	BM 40/3/GU/MO A1x3	3								160	125	5,00	
D8M2411001	BM 40/4/GU/MO A1x4	4								195	160	6,20	
D8M2511001	BM 40/5/GU/MO A1x5	5	3/8"	3/8"	3/8"	1/2"	1/2"	250	320	80	230	195	7,40
D8M2611001	BM 40/6/GU/MO A1x6	6								265	230	8,60	
D8M2711001	BM 40/7/GU/MO A1x7	7								300	265	9,80	
D8M2811001	BM 40/8/GU/MO A1x8	8								335	300	11,00	

PN – Pression nominale - Nominal pressure - Presión nominal

P MAX U – Pression maxi sur les orifices - Max. pressure on ports - Presión Max. sobre los orificios

P MAX S – Pression maxi sur le retour - Max. pressure in tank-line - Presión Max. al retorno

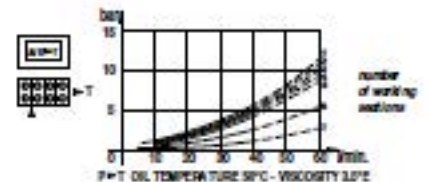
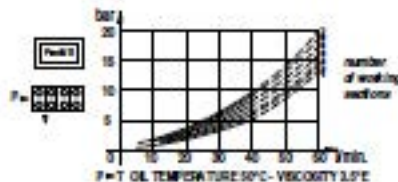
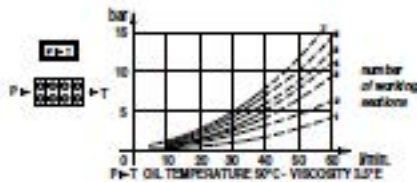
Limiteur de pression - Relief Valve - Limitador de presión: X = 30-90 bar (70) - U = 80-230 bar (140) (Standard) - K = 150-300 bar (200)

LES CODES CORRESPONDENT A - THESE CODES AND PRICES REFER TO - LOS CODIGOS SE REFEREN A LOS MODELOS DE:

DOUBLE EFFET - 3 POSITIONS - RAPPEL RESSORT - A/B FERMEE - ORIFICES BSP - PREDISPOSITION POUR CENTRE A SUIVRE

DOUBLE ACTING TYPE - 3 POSITIONS - SPRING RETURN - A/B PORTS CLOSED - BSP THREADS - MACHINED FOR CARRY-OVER

DOBLE EFECTO - 3 POSICIONES - RETORNO POR MUELLE - A/B CERRADOS - ROSCAS BSP - PREPARADO PARA RETORNO A PRESION (CARRY-OVER)



TIROIR SPOOL TYPE - CORREDERAS	
A	
B	
C	
D	
L	
Z	

POSITIONNEUR SPOOL CONTROL - POSICIONADOR	
1	
2	
3	
6	
7	
8	
12	
42	

SUR DEMANDE ON REQUEST - BAJO PEDIDO	
MC	commande manuelle + levon manual operator with cam accionamiento manual con leva
MX	levier de sécurité safety lever palanca de seguridad
DO	came de commande cam operator control por levas
JS	double commande joystick joystick
1P	commande pneumatique pneumatic operator accionamiento neumático
MSW	microrupteur microswitch microinterruptor
CO	centre a suivre power beyond (carry over) retorno a presión (carry over)
CCP	centre fermé closed center plug centro cerrado



## BM40 da 1 a 7 leve

## BM40 from 1 to 7 levers

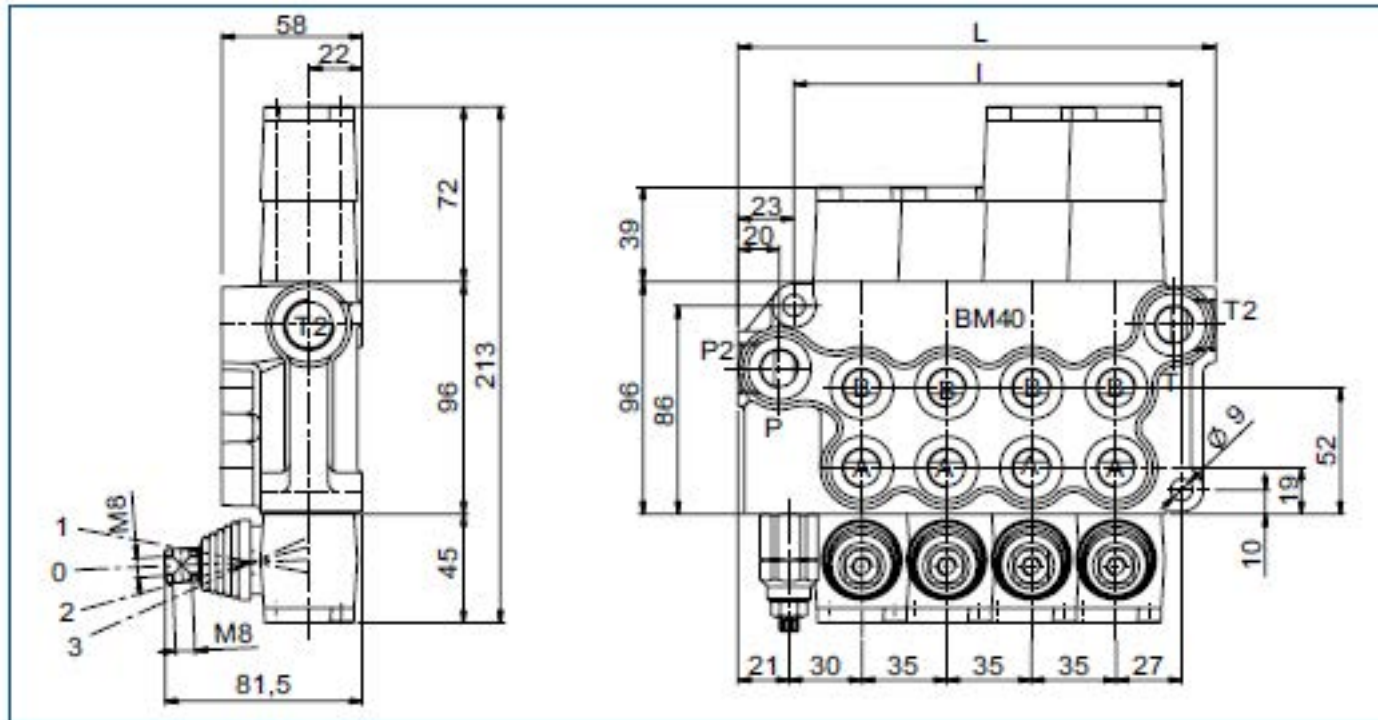
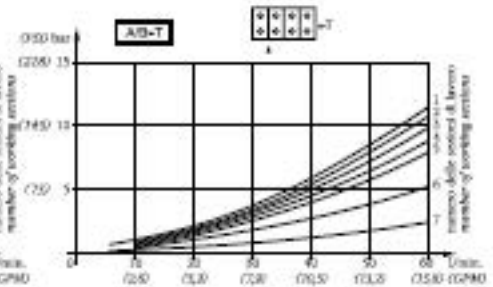
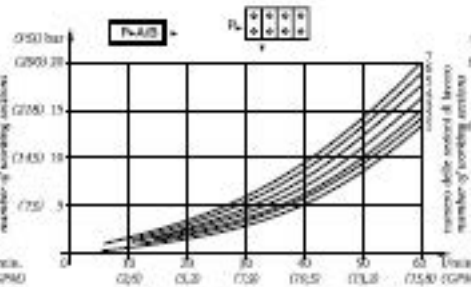
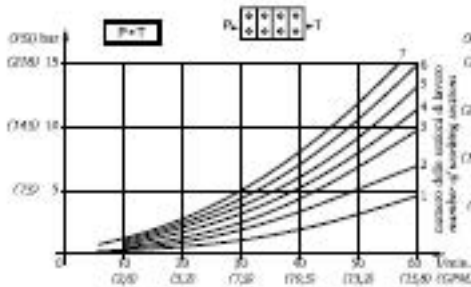
Caratteristiche generali / Technical characteristics		
	l/min	GPM
• Portata nominale / Nominal flow	35	9
• Portata limite / Max flow	45	12
bar PSI		
• Pressione nominale / Nominal pressure	250	3600
• Pressione max sugli utilizzi / Max pressure on parts	320	4700
• Contropressione max allo scarico / Max pressure in tank-line	80	1100



PT • TEMPERATURA OLIO 50°C • VISCOSITÀ 3,5 cP

P-A-B • TEMPERATURA OLIO 50°C • VISCOSITÀ 3,5 cP

A-B-T • TEMPERATURA OLIO 50°C • VISCOSITÀ 3,5 cP



MOD	L	I	Kg
BM40/1	90	55	2,5
BM40/2	125	90	3,7
BM40/3	160	125	5
BM40/4	195	160	6,2
BM40/5	230	195	7,4
BM40/6	265	230	8,6
BM40/7	300	265	9,8

### RILETTATURA STANDARD - STANDARD THREADS

COD	A-B	P	T	P <sub>2</sub>	T <sub>2</sub>
G	3/8"	3/8"	3/8"	1/2"	1/2"
F	3/4" - 16	3/4" - 16	3/4" - 16	7/8" - 14	7/8" - 14

◀ Su richiesta filettature diverse  
Other threads available on request

