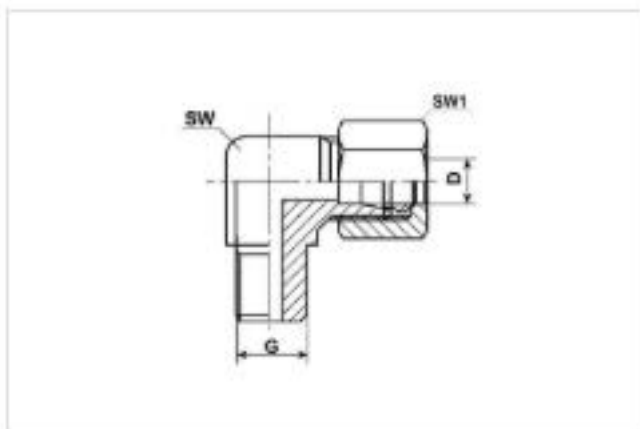


DIN 2353 ISO 8434-1



Acier sans chrome VI, galvanisé

| Référence | Description | D | G | SW | SW1 | Forme | Conditionnement |
|----------------|-------------------|----|-----------------|----|-----|-------|-----------------|
| 104-101 | WE04-LL M8x1 | 4 | 8 x 1 con | 9 | 10 | LL | 50 |
| 104-102 | WE04-LL M8x1 | 4 | 8 x 1 con | 9 | 10 | LL | 50 |
| 104-102-8x1,25 | WE04-LL M8x1,25 | 4 | 8 x 1,25 con | 9 | 10 | LL | 50 |
| 104-103 | WE04-LL M10x1 | 4 | 10 x 1 con | 11 | 10 | LL | 50 |
| 104-104 | WE04-LL R1/8 | 4 | R 1/8 BSP / con | 11 | 10 | LL | 50 |
| 106-101 | WE06-LL M8x1 | 6 | 8 x 1 con | 11 | 12 | LL | 100 |
| 106-102 | WE06-LL M8x1 | 6 | 8 x 1 con | 11 | 12 | LL | 100 |
| 106-102-8x1,25 | WE06-LL M8x1,25 | 6 | 8 x 1,25 con | 11 | 12 | LL | 100 |
| 106-103 | WE06-LL M10x1 | 6 | 10 x 1 con | 11 | 12 | LL | 100 |
| 106-103-L | WE06-L M10x1 | 6 | 10 x 1 con | 12 | 14 | L | 50 |
| 106-104 | WE06-LL R1/8 | 6 | R 1/8 BSP / con | 11 | 12 | LL | 100 |
| 106-104-NPT | WE06-LL 1/8 NPT | 6 | 1/8 NPT | 11 | 12 | LL | 100 |
| 106-104-L | WE06-L R1/8 | 6 | R 1/8 BSP / con | 12 | 14 | L | 50 |
| 106-105-L | WE06-L R1/4 | 6 | R 1/4 BSP / con | 12 | 14 | L | 50 |
| 1010-005 | WE06-LL 1/4-28UNF | 6 | 1/4 - 28 UNF | 11 | 12 | LL | 100 |
| 108-103 | WE08-LL M10x1 | 8 | 10x1 / con | 12 | 14 | LL | 50 |
| 108-104 | WE08-LL R1/8 | 8 | R 1/8 BSP / con | 12 | 14 | LL | 50 |
| 108-104-L | WE08-L R1/8 | 8 | R 1/8 BSP / con | 12 | 14 | L | 50 |
| 108-105-L | WE08-L R1/4 | 8 | R 1/4 BSP / con | 12 | 17 | L | 50 |
| 110-105-L | WE10-L R1/4 | 10 | R 1/4 BSP / con | 14 | 19 | L | 50 |

Pour toute demande complémentaire veuillez nous contacter sur info@hydrocllic.com

Inox 1.4401 / 316 / V4A

| Référence | Description | D | G | SW | SW1 | Forme | Conditionnement |
|--------------|------------------|---|-----------------|----|-----|-------|-----------------|
| 1010-001 | WE04-LL M6x1 | 4 | 6 x 1 con | 9 | 10 | LL | 25 |
| 1010-002 | WE04-LL M8x1 | 4 | 8 x 1 con | 9 | 10 | LL | 25 |
| 1010-003 | WE04-LL M10x1 | 4 | 10 x 1 con | 11 | 10 | LL | 25 |
| 1010-004 | WE04-LL R1/8BSPT | 4 | R 1/8 BSPT con | 11 | 10 | LL | 25 |
| 106-101-VA | WE06-LL M6x1 | 6 | 6 x 1 con | 11 | 12 | LL | 25 |
| 106-102-VA | WE06-LL M8x1 | 6 | 8 x 1 con | 11 | 12 | LL | 25 |
| 106-103-VA | WE06-LL M10x1 | 6 | 10 x 1 con | 11 | 12 | LL | 25 |
| 106-104-VA | WE06-LL R1/8 | 6 | R 1/8 BSP / con | 11 | 12 | LL | 25 |
| 106-104-VA-L | WE06-L R1/8 | 6 | R 1/8 BSP / con | 12 | 14 | L | 25 |
| 106-105-VA-L | WE06-L R1/4 | 6 | R 1/4 BSP / con | 12 | 14 | L | 25 |
| 108-104-VA | WE08-LL R1/8 | 8 | R 1/8 BSP / con | 12 | 14 | LL | 25 |
| 108-104-VA-L | WE08-L R1/8 | 8 | R 1/8 BSP / con | 12 | 17 | L | 25 |
| 108-105-VA-L | WE08-L R1/4 | 8 | R 1/4 BSP / con | 12 | 17 | L | 25 |