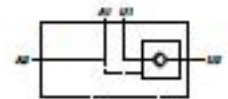
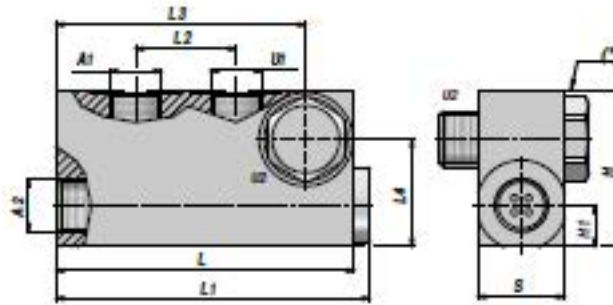


VRSE...CIL

NEW!

**SIMPLE EFFET
SINGLE ACTING**

**CLAPET ANTI-RETOUR PILOTE (ETANCHEITE PAR CONE)
PILOT OPERATED CHECK VALVE (POPPET TYPE)**



Code Code	A1 - U1 BSP	A2 - U2 BSP	Q MAX l/min	P MAX bar	PILOT RATIO	Type Type	L	L1	L2	L3	L4	H1	H	S	kg
VSG325.B10450	1/4"	1/4"	20	300	1:4.9	VRSE 010 CIL	84	88.5	24	68.5	27	10	40	20	0,45
VSG325.B20490	3/8"	3/8"	20	300	1:4.9	VRSE 020 CIL	86	90.5	26	72.0	31	12	45	25	0,65

Pression d'ouverture - Opening pressure : 1 bar

(*) - Couple de serrage - Tightening torque

VRSE 010 CIL 1/4" = 40 Nm - VRSE 010 CIL 3/8" = 55 Nm

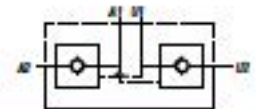
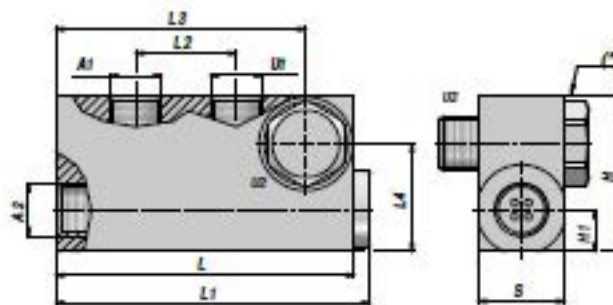
MATERIEL CORPS : ACIER
BODY MATERIAL : STEEL

MONTAGE SUR VERIN
CYLINDER MOUNTING

VRDE...CIL

**DOUBLE EFFET
DOUBLE ACTING**

**CLAPET ANTI-RETOUR PILOTE (ETANCHEITE PAR CONE)
PILOT OPERATED CHECK VALVE (POPPET TYPE)**



Code Code	A1 - U1 BSP	A2 - U2 BSP	Q MAX l/min	P MAX bar	PILOT RATIO	Type Type	L	L1	L2	L3	L4	H1	H	S	kg
VSG326.B10450	1/4"	1/4"	20	300	1:4.9	VRDE 010 CIL	84	88.5	24	68.5	27	10	40	20	0,45
VSG326.B20490	3/8"	3/8"	20	300	1:4.9	VRDE 020 CIL	86	90.5	26	72.0	31	12	45	25	0,65

Pression d'ouverture - Opening pressure : 1 bar

(*) - Couple de serrage - Tightening torque

VRDE 010 CIL 1/4" = 40 Nm - VRDE 010 CIL 3/8" = 55 Nm

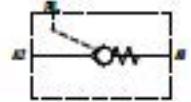
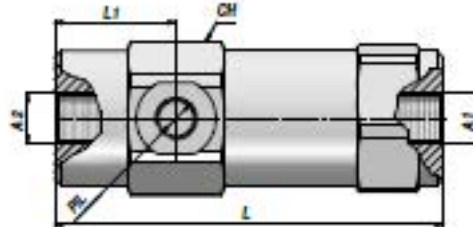
MATERIEL CORPS : ACIER
BODY MATERIAL : STEEL

MONTAGE SUR VERIN
CYLINDER MOUNTING

VBPS

SIMPLE EFFET
SINGLE ACTING

CLAPET ANTI-RETOUR PILOTE (ETANCHEITE PAR CONE)
PILOT OPERATED CHECK VALVE (POPPET TYPE)



Code Code	A1 - A2 BSP	PIL BSP	Q MAX l/min	P MAX bar	PILOT RATIO	Type Type	L	L1	CH	kg
VSG341.109500	1/4"	1/4"	25	350	1:9.5	VBPS 010	103.0	32.5	36	0,69
VSG341.206000	3/8"	1/4"	40	350	1:6	VBPS 020	111.0	35.0	40	0,93
VSG341.304300	1/2"	1/4"	60	350	1:4.3	VBPS 030	122.0	38.0	42	1,08
VSG341.404000	3/4"	1/4"	90	300	1:4.4	VBPS 040	145.5	44.5	55	2,32
VSG341.503500	1"	1/4"	130	260	1:3.5	VBPS 050	164.0	44.5	55	2,36

Pression d'ouverture - Opening pressure : bar 1 (standard) - 4 - 8

MATERIEL CORPS : ACIER
BODY MATERIAL : STEEL

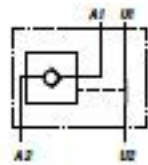
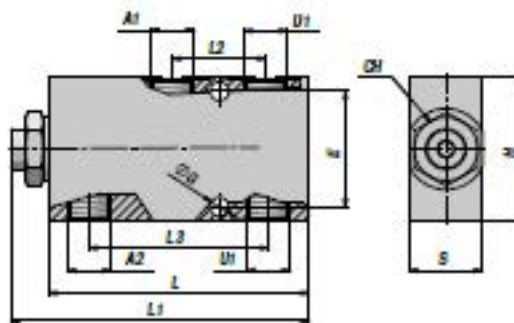
MONTAGE EN LIGNE
LINE MOUNTING

VPSE

NEW!

SIMPLE EFFET
SINGLE ACTING

CLAPET ANTI-RETOUR PILOTE (ETANCHEITE PAR CONE)
PILOT OPERATED CHECK VALVE (POPPET TYPE)



Code Code	A1 - U1 BSP	A2 - U2 BSP	Q MAX l/min	P MAX bar	PILOT RATIO	Type Type	L	L1	L2	L3	ØG	E	H	S	kg
VAG350.207004	3/8"	3/8"	35	350	1:7	VPSE 020	83	95	34	49	6.5	40	60	35	0,53
VAG350.257004	1/2"	1/2"	35	350	1:7	VPSE 025	83	95	34	49	6.5	40	60	35	0,49

Pression d'ouverture - Opening pressure : bar 0,5 - 4 (standard) - 8

MATERIEL CORPS : ALUMINIUM
BODY MATERIAL : ALUMINIUM

MONTAGE EN LIGNE
LINE MOUNTING