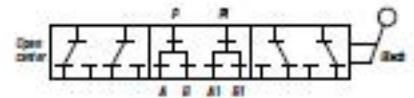
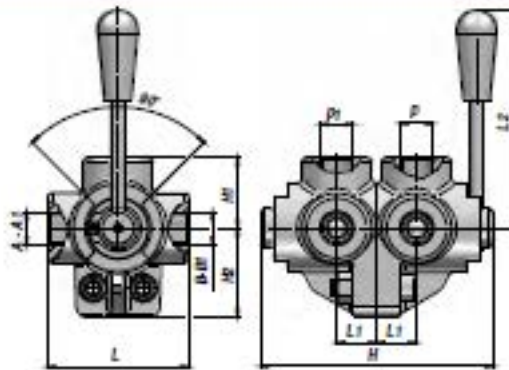


DHZ

ROBINET A BOISSEAU A 6 VOIES - CENTRE OUVERT 6-WAY FLOW DEFLECT VALVE - OPEN CENTRE



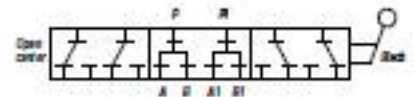
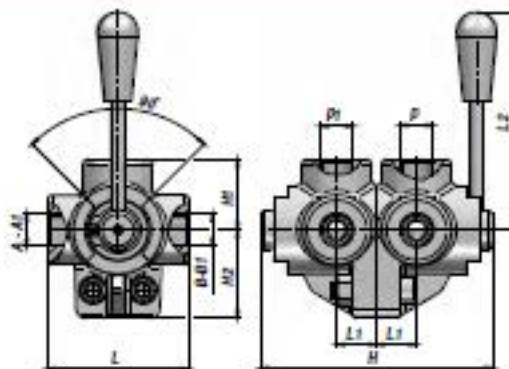
Code Code	A - P - B BSP	A1 - P1 - B1 BSP	Q MAX l/min	P MAX bar	Type Type	L	L1	L2	H	H1-2	H2	kg
V73667.A00600	3/8"	3/8"	60	315	6DHZ-A 020	74	21.0	128	126	78.5	XX	X,XX
V73667.A00800	1/2"	1/2"	90	280	6DHZ-A 030	87	25.0	126	140	95.5	XX	X,XX
V73667.A01200	3/4"	3/4"	120	250	6DHZ-A 040	92	30.0	126	157	106	XX	X,XX

MATERIEL CORPS : FONTE ZINGUÉ
BODY MATERIAL : CAST IRON GALVANIZED

MONTAGE EN LIGNE
LINE MOUNTING

DHZ

ROBINET A BOISSEAU A 6 VOIES - CENTRE FERME 6-WAY FLOW DEFLECT VALVE - CLOSED CENTRE



Code Code	A - P - B BSP	A1 - P1 - B1 BSP	Q MAX l/min	P MAX bar	Type Type	L	L1	L2	H	H1-2	H2	kg
V73667.C00600	3/8"	3/8"	60	315	6DHZ-C 020	74	21.0	128	126	78.5	XX	X,XX
V73667.C00800	1/2"	1/2"	90	280	6DHZ-C 030	87	25.0	126	140	95.5	XX	X,XX
V73667.C01200	3/4"	3/4"	120	250	6DHZ-C 040	92	30.0	126	157	106	XX	X,XX

MATERIEL CORPS : FONTE ZINGUÉ
BODY MATERIAL : CAST IRON GALVANIZED

MONTAGE EN LIGNE
LINE MOUNTING

Pour toute demande complémentaire veuillez nous contacter sur info@hydrocllic.com