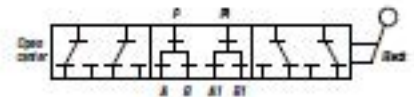
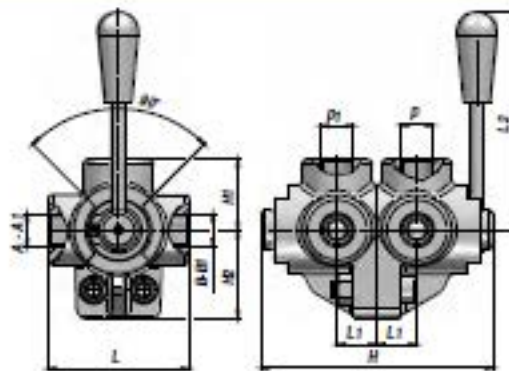


D6-A

ROBINET A BOISSEAU A 6 VOIES - CENTRE OUVERT 6-WAY FLOW DEFLECT VALVE - OPEN CENTRE



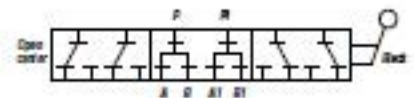
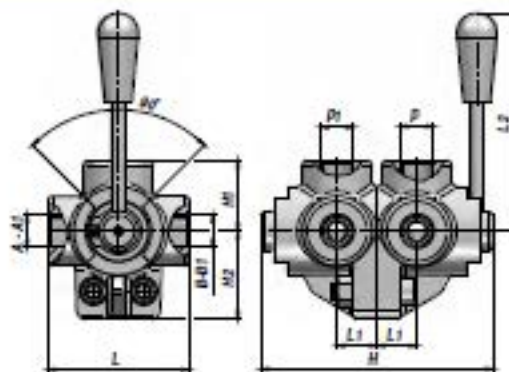
Code Code	A - P - B BSP	A1 - P1 - B1 BSP	Q MAX l/min	P MAX bar	Type Type	L	L1	L2	H	H1	H2	kg
V74667.A00400	1/4"	1/4"	60	350	D6-A 104	70	21.0	115	112	XX.X	XX	1,50
V74667.A00600	3/8"	3/8"	60	350	D6-A 100	70	21.0	115	112	XX.X	XX	1,50
V74667.A00800	1/2"	1/2"	60	350	D6-A 101	80	24.0	115	124	XX.X	XX	2,30
V74667.A01200	3/4"	3/4"	120	350	D6-A 102	90	26.0	115	132	XX.X	XX	3,50
V74667.A01600	1"	1"	200	300	D6-A 103	98	31.0	115	152	XX.X	XX	5,30

MATERIEL CORPS : FONTE
BODY MATERIAL : CAST IRON

MONTAGE EN LIGNE
LINE MOUNTING

D6-C

ROBINET A BOISSEAU A 6 VOIES - CENTRE FERME 6-WAY FLOW DEFLECT VALVE - CLOSED CENTRE



Code Code	A - P - B BSP	A1 - P1 - B1 BSP	Q MAX l/min	P MAX bar	Type Type	L	L1	L2	H	H1	H2	kg
V74667.C00400	1/4"	1/4"	60	350	D6-C 111	70	21.0	115	112	XX.X	XX	1,50
V74667.C00600	3/8"	3/8"	60	350	D6-C 107	70	21.0	115	112	XX.X	XX	1,50
V74667.C00800	1/2"	1/2"	60	350	D6-C 108	80	24.0	115	124	XX.X	XX	2,30
V74667.C01200	3/4"	3/4"	120	350	D6-C 109	90	26.0	115	132	XX.X	XX	3,50
V74667.C01600	1"	1"	200	300	D6-C 110	98	31.0	115	152	XX.X	XX	5,30

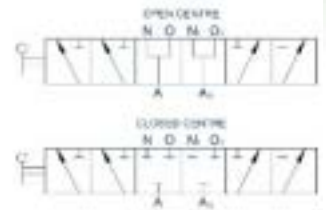
MATERIEL CORPS : FONTE
BODY MATERIAL : CAST IRON

MONTAGE EN LIGNE
LINE MOUNTING



D6

6 ways flow divider



Specifications:

- Iron cast body
- White zinc plated external parts
- Standard colour black

O-N-A GAB	FLOW liter/min	PRESSURE BAR	B mm	C mm	D mm	E mm	F mm	G mm	H mm	L mm	M mm	MASS KG	CODE OF OPEN CENTRE	CODE OF CLOSED CENTRE
1/4"	60+60	350	70	25	8,5	32	75,5	21	112	115	155,5	1,500	7003.0104	7003.0111
3/8"	60+60	350	70	25	8,5	32	75,5	21	112	115	155,5	1,500	7003.0100	7003.0107
1/2"	60+90	350	80	32	8,5	36	86	24	124	115	161	2,300	7003.0101	7003.0108
3/4"	120+120	350	90	32	10,5	42	98,5	26	132	115	168,5	3,500	7003.0102	7003.0109
1"	200+200	300	98	32	10,5	50	110	31	152	115	176,5	5,300	7003.0103	7003.0110

Pour toute demande complémentaire veuillez nous contacter sur info@hydrocllic.com