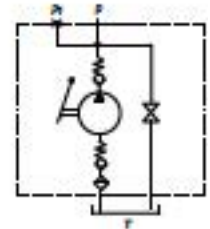
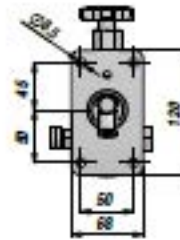
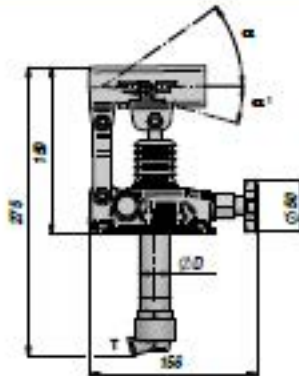
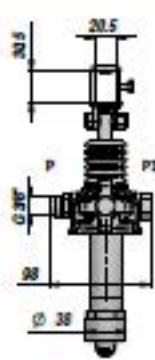


PAM-TS **NEW!**

POMPE A MAIN AVEC ROBINET DE RELACHE
HAND PUMP WITH LOWERING VALVE

PREDISPOSEE POUR RESERVOIR
SUITABLE FOR OIL TANK



Code Code	Type Type	cm ³ /cycle cm ³ /cycle	P MAX bar	ØD	α	α ₁	Température d'exercice Working Temperature	kg
PAM0141202	PAM-TS 12	12	360	30	37°	13°		2,89
PAM0142502	PAM-TS 25	25	350	35	57°	15°	-20°C +80°C	2,99
PAM0144502	PAM-TS 45	42	280	40	52°	28°		3,12

Fonctionnement D.E. pour vérin S.E. - Double-stroke for a S.A. cylinder

SUR DEMANDE - ON REQUEST:

PAMX-TS - POMPE AVEC SUPPORT POUR LEVIER ROND - HAND PUMP WITH ROUND LEVER HOLDER

FPM - JOINTS EN VITON - VITON SEALS

VMQ - JOINTS EN FLUOROSILICONE - FLUORINE-SILICONE SEALS

La pompe est fournie avec les vis de fixation et le joint NBR. - Hand Pump is supplied with fastening screws and NBR seal.

LEVIERS - LEVERS

Code Code	Dimensions Sizes	TYPE	kg
* PAM0290000	20 x 30 x 600	1	0,71
PAM0290900	20 x 30 x 900	1	1,41
PAM0291000	20 x 30 x 1000	1	1,55
PM00290100	Ø27 x 600 (PAMX)	2	0,91



1

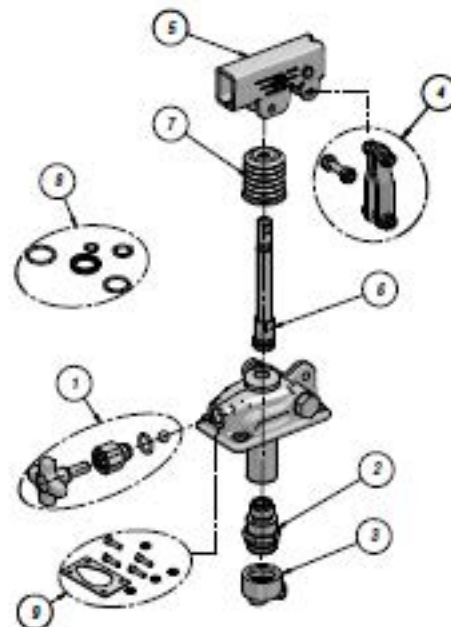


2

* LEVIER STANDARD - STANDARD HAND LEVER

PIECES DETACHEES - SPARE PARTS

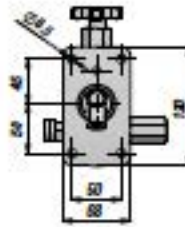
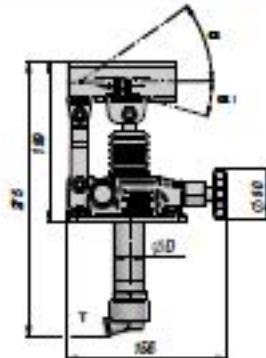
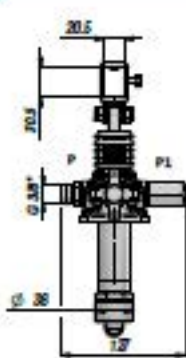
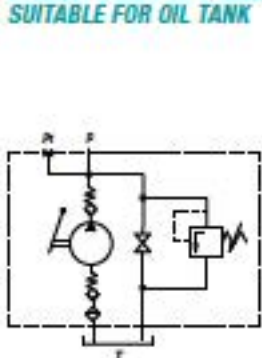
Code Code	Description Description	Pour pompe For Pump	N°
PAMJVS1245	Kit robinet de relâche Lowering valve kit	All type	1
PAMJVO1200	Kit aspiration Suction valve kit	PAM-TS 12	2
PAMJVO2500	Suction valve kit	PAM-TS 25	
PAMJVO4500	Suction valve kit	PAM-TS 45	
PAMJRA1245	Kit raccord aspiration avec filtre Suction adapter kit with filter	All type	3
PAMJB01245	Kit bielle Control kit	All type	4
PAMJ010001	Support levier Hand lever holder	All type	5
PAMJPS1200	Kit piston+tige Rod Piston assembled kit	PAM-TS 12	6
PAMJPS2025	Rod Piston assembled kit	PAM-TS 25	
PAMJPS4045	Rod Piston assembled kit	PAM-TS 45	
PAMJ020015	Soufflet Bellows	All type	7
PAMGT00012	Pochettes de joints standard Standard seal kits	PAM-TS 12	8
PAMGT00025	Standard seal kits	PAM-TS 25	
PAMGT00045	Standard seal kits	PAM-TS 45	
PAMJ030017	Joint NBR + vis NBR seal + screws	All type	9



POMPE A MAIN AVEC ROBINET DE RELACHE + LIMITEUR DE PRESSION HAND PUMP WITH LOWERING VALVE AND RELIEF VALVE

NEW! PAM-TSV

PREDISPOSEE POUR RESERVOIR
SUITABLE FOR OIL TANK



Code Code	Type Type	cm ³ /cycle cm ³ /cycle	P MAX bar	ØD	α	α ₁	Température d'exercice Working Temperature	kg
PAM0141203	PAM-TSV dx 12	12	380	30	37°	13°		2,97
PAM0142503	PAM-TSV dx 25	25	350	35	57°	15°	-20°C +80°C	3,07
PAM0144503	PAM-TSV dx 45	42	280	40	52°	28°		3,20

Fonctionnement D.E. pour vérin S.E. - Double-stroke for a S.A. cylinder

SUR DEMANDE - ON REQUEST:

PAMX-TSV - POMPE AVEC SUPPORT POUR LEVIER ROND - HAND PUMP WITH ROUND LEVER HOLDER

FPM - JOINTS EN VITON - VITON SEALS

VMQ - JOINTS EN FLUOROSILICONE - FLUORINE-SILICONE SEALS

La pompe est fournie avec les vis de fixation et le joint NBR. - Hand Pump is supplied with fastening screws and NBR seal.

LEVIER - LEVERS

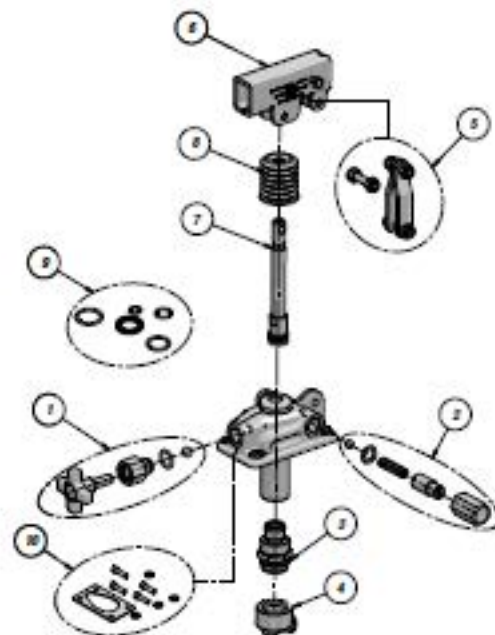
Code Code	Dimensions Sizes	TYPE	kg
* PAM0290000	20 x 30 x 600	1	0,71
PAM0290900	20 x 30 x 900	1	1,41
PAM0291000	20 x 30 x 1000	1	1,55
PM00290100	Ø27 x 600 (PAMX)	2	0,91



* LEVIER STANDARD - STANDARD HAND LEVER

PIECES DETACHEES - SPARE PARTS

Code Code	Description Description	Pour pompe For Pump	N°
PAMJVS1245	Kit robinet de relâche Lowering valve kit	All type	1
PAMJVMP000	Kit Limiteur de pression Relief Valve kit	All type	2
PAMJV01200	Kit aspiration Suction valve kit	PAM-TSV 12	3
PAMJV02500	Suction valve kit	PAM-TSV 25	
PAMJV04500	Suction valve kit	PAM-TSV 45	
PAMJRA1245	Kit raccord aspiration avec filtre Suction adapter kit with filter	All type	4
PAMJB01245	Kit bielle Conrod kit	All type	5
PAMJ010001	Support levier Hand lever holder	All type	6
PAMJPS1200	Kit piston+tige Rod Piston assembled kit	PAM-TSV 12	7
PAMJPS2025	Rod Piston assembled kit	PAM-TSV 25	
PAMJPS4045	Rod Piston assembled kit	PAM-TSV 45	
PAMJ020015	Soufflet Bellow	All type	8
PAMGT00012	Pochettes de joints standard Standard seal kits	PAM-TSV 12	9
PAMGT00025	Standard seal kits	PAM-TSV 25	
PAMGT00045	Standard seal kits	PAM-TSV 45	
PAMJ030017	Joint NBR + vis NBR seal + screws	All type	10

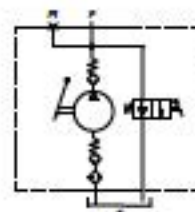
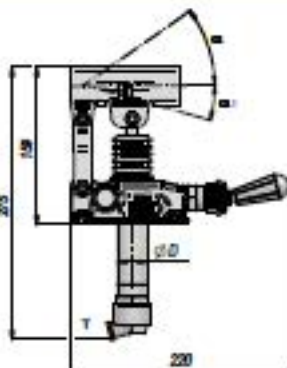
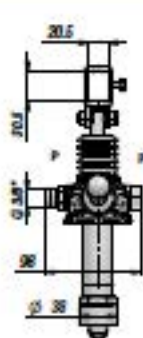


PAM-TRS

NEW!

**POMPE A MAIN AVEC LEVIER A RAPPEL
HAND PUMP WITH LEVER RELEASE**

**PREDISPOSEE POUR RESERVOIR
SUITABLE FOR OIL TANK**



Code Code	Type Type	cm3/cycle cm3/cycle	P MAX bar	ØD	α	α ₁	Température d'exercice Working Temperature	kg
PAM0141206	PAM-TRS 12	12	380	30	37°	13°		3,00
PAM0142506	PAM-TRS 25	25	350	35	57°	15°	-20°C +80°C	3,10
PAM0144506	PAM-TRS 45	42	280	40	52°	28°		3,25

Fonctionnement D.E. pour vérin S.E. - Double-stroke for a S.A. cylinder

SUR DEMANDE - ON REQUEST:

PAMX-TRS - POMPE AVEC SUPPORT POUR LEVIER ROND - HAND PUMP WITH ROUND LEVER HOLDER

FPM - JOINTS EN VITON - VITON SEALS

VMQ - JOINTS EN FLUOROSILICONE - FLUORINE-SILICONE SEALS

La pompe est fournie avec les vis de fixation et le joint NBR. - Hand Pump is supplied with fastening screws and NBR seal.

LEVIER - LEVERS

Code Code	Dimensions Sizes	TYPE	kg
* PAM0290000	20 x 30 x 600	1	0,71
PAM0290900	20 x 30 x 900	1	1,41
PAM0291000	20 x 30 x 1000	1	1,55
PM00290100	Ø27 x 600 (PAMX)	2	0,91



1

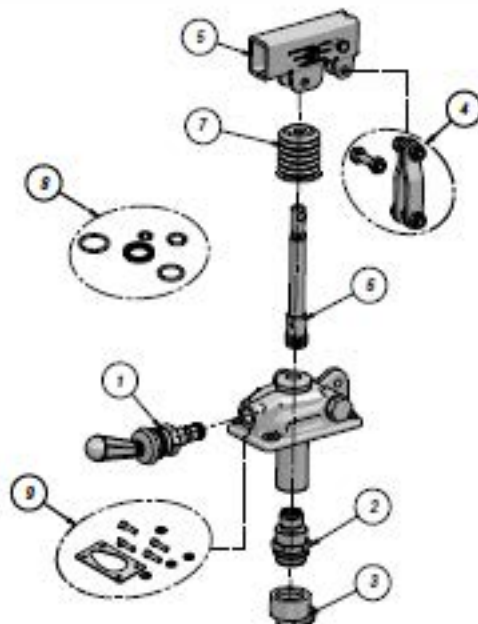


2

* LEVIER STANDARD - STANDARD HAND LEVER

PIECES DETACHEES - SPARE PARTS

Code Code	Description Description	Pour pompe For Pump	N°
PAMJVR1245	Kit levier à rappel lever release kit	All type	1
PAMJVO1200	Kit aspiration	PAM-TRS 12	2
PAMJVO2500	Suction valve kit	PAM-TRS 25	
PAMJVO4500	Suction valve kit	PAM-TRS 45	3
PAMJRA1245	Kit raccord aspiration avec filtre Suction adapter kit with filter	All type	
PAMJB01245	Kit bielle Conrod kit	All type	4
PAMJ010001	Support levier Hand lever holder	All type	5
PAMJPS1200	Kit piston+tige	PAM-TRS 12	6
PAMJPS2025	Rod Piston assembled kit	PAM-TRS 25	
PAMJPS4045	Rod Piston assembled kit	PAM-TRS 45	
PAMJ020015	Soufflet Bellows	All type	7
PAMGTR0012	Pochettes de joints standard Standard seal kits	PAM-TRS 12	8
PAMGTR0025		PAM-TRS 25	
PAMGTR0045		PAM-TRS 45	
PAMJ030017	Joint NBR + vis NBR seal + screws	All type	9

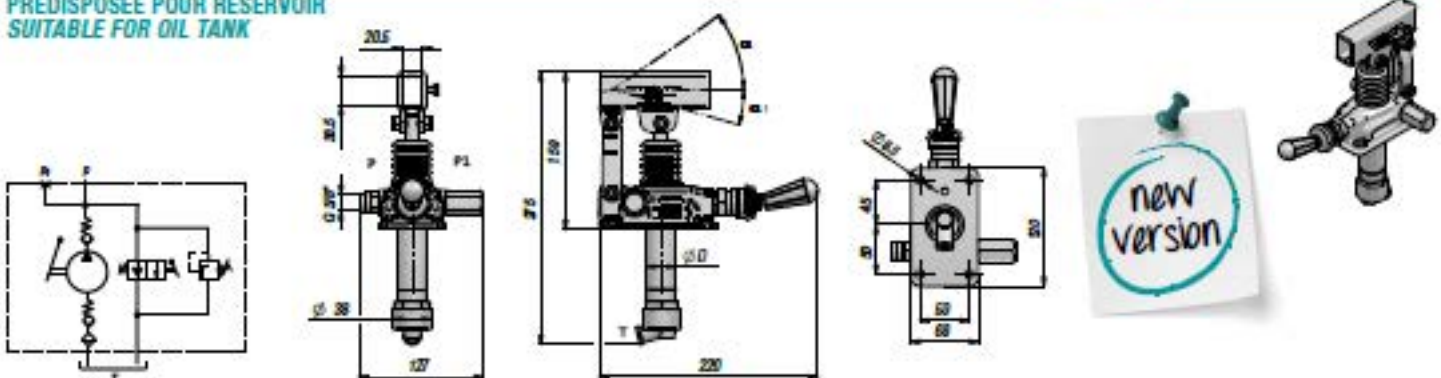


POMPE A MAIN AVEC LEVIER A RAPPEL + LIMITEUR DE PRESSION HAND PUMP WITH LEVER RELEASE AND RELIEF VALVE

NEW!

PAM-TRSV

PREDISPOSEE POUR RESERVOIR
SUITABLE FOR OIL TANK



Code Code	Type Type	cm ³ /cycle cm ³ /cycle	P MAX bar	ØD	α	α ₁	Température d'exercice Working Temperature	kg
PAM0141207	PAM-TRSV dx 12	12	380	30	37°	13°		3,08
PAM0142507	PAM-TRSV dx 25	25	350	35	57°	15°	-20°C +80°C	3,18
PAM0144507	PAM-TRSV dx 45	42	280	40	52°	28°		3,33

Fonctionnement D.E. pour vérin S.E. - Double-stroke for a S.A. cylinder

SUR DEMANDE - ON REQUEST:

PAMX-TRSV - POMPE AVEC SUPPORT POUR LEVIER ROND - HAND PUMP WITH ROUND LEVER HOLDER

FPM - JOINTS EN VITON - VITON SEALS

VMQ - JOINTS EN FLUOROSILICONE - FLUORINE-SILICONE SEALS

La pompe est fournie avec les vis de fixation et le joint NBR. - Hand Pump is supplied with fastening screws and NBR seal.

LEVIERS - LEVERS

Code Code	Dimensions Sizes	TYPE	kg
* PAM0290000	20 x 30 x 600	1	0,71
PAM0290900	20 x 30 x 900	1	1,41
PAM0291000	20 x 30 x 1000	1	1,55
PM0290100	Ø27 x 600 (PAMX)	2	0,91



1

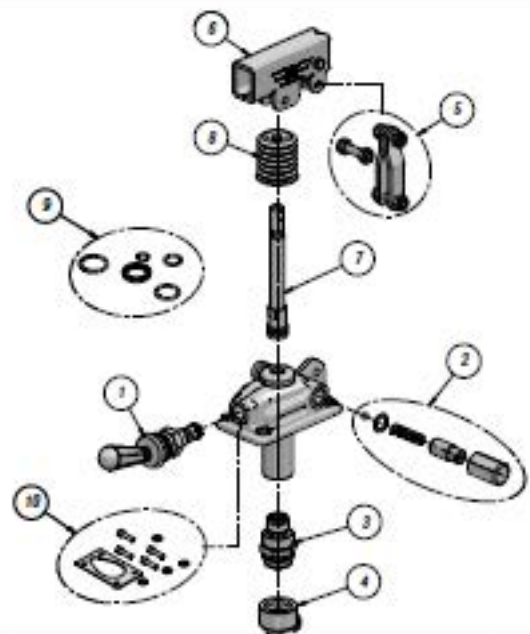


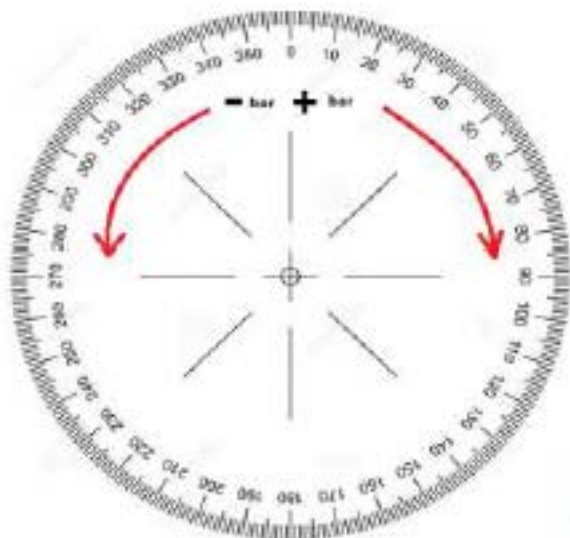
2

* LEVIER STANDARD - STANDARD HAND LEVER

PIECES DETACHEES - SPARE PARTS

Code Code	Description Description	Pour pompe For Pump	N°
PAMJVR1245	Kit levier à rappel Lever release kit	All type	1
PAMJVMP000	Kit Limiteur de pression Relief Valve Kit	All type	2
PAMJVO1200	Kit aspiration Suction valve kit	PAM-TRSV 12	3
PAMJVO2500		PAM-TRSV 25	
PAMJVO4500		PAM-TRSV 45	
PAMJRA1245	Kit raccord aspiration avec filtre Suction adapter kit with filter	All type	4
PAMJB01245	Kit bielle Conrod kit	All type	5
PAMJ010001	Support levier Hand lever holder	All type	6
PAMJPS1200	Kit piston+tige Rod Piston assembled kit	PAM-TRSV 12	7
PAMJPS2025		PAM-TRSV 25	
PAMJPS4045		PAM-TRSV 45	
PAMJ020015	Soufflet Bellow	All type	8
PAMGTR0012	Pochettes de joints standard Standard seal kits	PAM-TRSV 12	9
PAMGTR0025		PAM-TRSV 25	
PAMGTR0045		PAM-TRSV 45	
PAMJ030017	Joint NBR + vis NBR seal + screws	All type	10





Turn Right to increase or Turn left to decrease



How to set the relief valve's PAM SV / TSV / TDSV					
From Standard setting 150(bar) / 2175,57(Psi)					
< Less	Bar	Psi	More >	Bar	Psi
0°	150	2175,57	0°	150	2175,57
315°	145	2103,04	45°	158	2291,59
270°	139	2016,02	90°	167	2422,13
225°	130	1885,49	135°	173	2509,15
180°	122	1769,46	180°	182	2639,68
135°	115	1667,93	225°	190	2755,71
90°	108	1566,4	270°	200	2900,75
45°	98	1421,36	315°	207	3002,28
0°	92	1334,34	0°	215	3118,31
315°	82	1189,3	45°	223	3234,34
270°	74	1073,27	90°	231	3350,37
225°	68	986,25	135°	240	3480,9
180°	60	870,22	180°	248	3596,93

approximate values